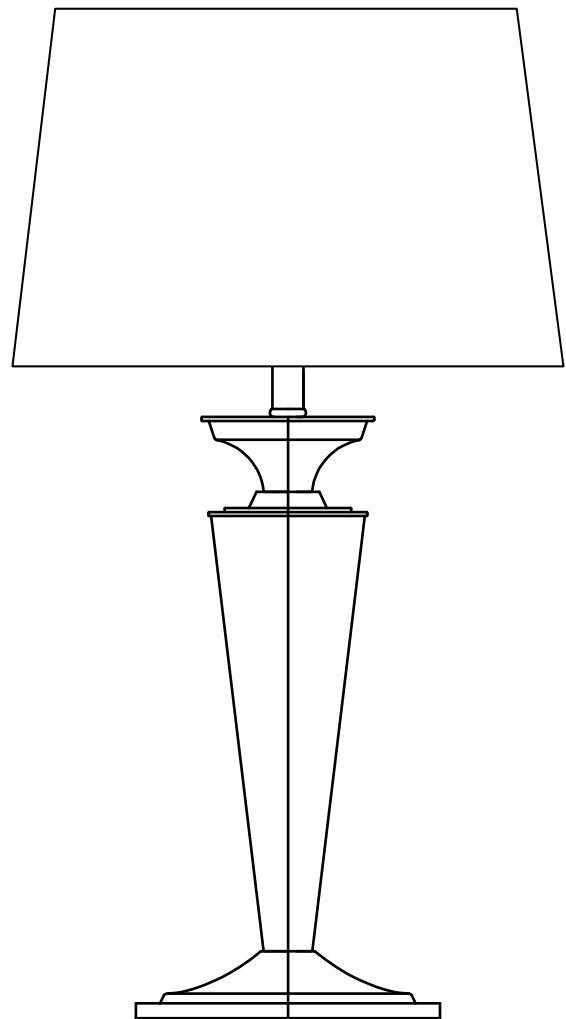
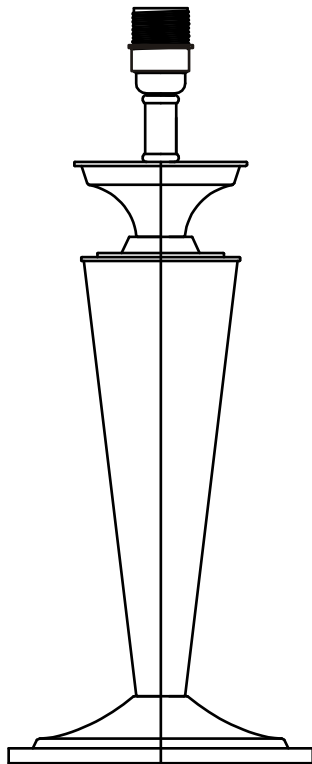
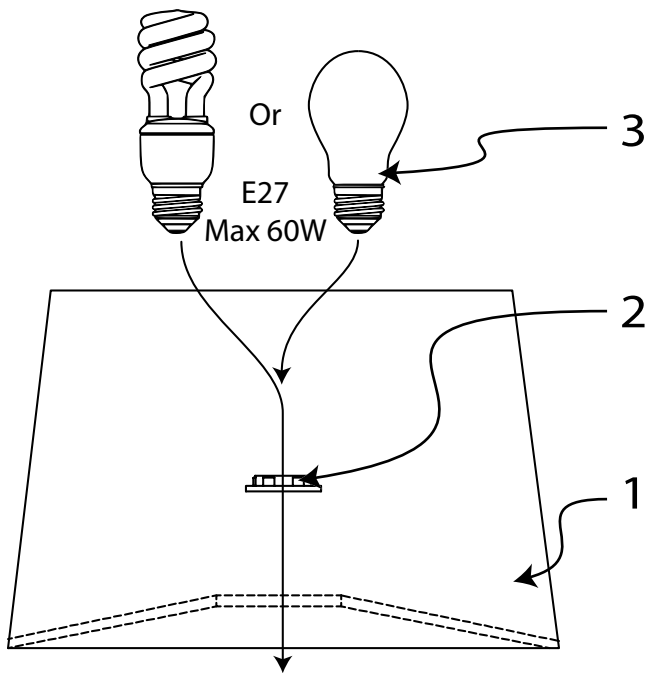


Suitable for LX123BS

Interiors 1900

New Classics
Collection



Style may vary. Shade must be ordered separately, and will be supplied in a separate box.

- This light fitting operates at a normal supply voltage of 220~240v
- This light should only be used with an E27 light bulb, rated to a maximum of 60 watts
- When changing the bulb or fuses, always switch off at the mains, remove plug from socket and allow the old bulb to cool down before handling.
- If the external flexible cable of the lamp is damaged, it shall be exclusively replaced by the manufacturer of his service agent or a similar qualified person in order to avoid hazard.

www.interiors1900.co.uk